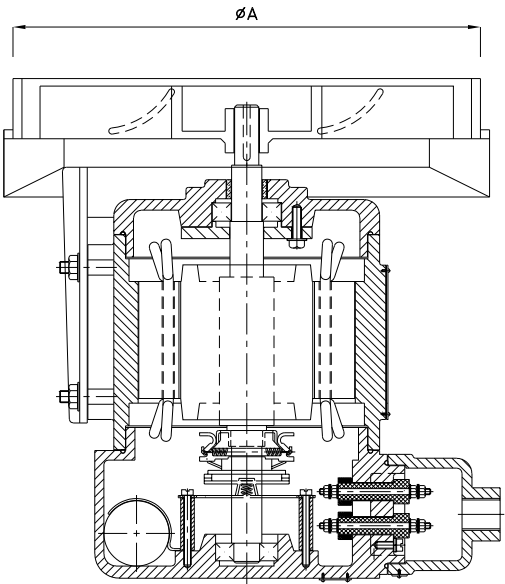


FRONT VIEW



SECTIONAL VIEW OF EXHAUST FAN ASSEMBLY

Sr.	Fan Size	ØA	G	H	I	J	HP	Phase
1	12"	314	250	315	360	422	0.25 HP	Single Phase
2	15"	388	250	315	450	510	0.25 HP	Single Phase
3	18"	480	250	315	550	608	0.35 HP	Three Phase
4	24"	635	275	350	705	760	1 HP	Three Phase
5	30"	787	275	350	860	900	1 HP	Three Phase
6	36"	952	275	350	1020	1060	1 HP	Three Phase

Fip-wp Exhaust Fan Size Options with Dimensions & Rating :

Fitting OPTIONS :

- 1) MATERIAL CONSTRUCTION : STAINLESS STEEL
- 2) VOLTAGE : 230V / 415V AC/DC
- 3) CABLE GLAND & PLUG : BRASS/S.S./ALUMINIUM
- 4) PAINT SHADE : 632/355/7031/7032, etc... (As per Standard)
- 5) LOUVERS : PLASTIC
- 6) MESH ON FRONT SIDE : M.S. / S.S.

FAN WITH CERTIFIED FLAMPROOF-WEATHERPROOF MOTOR :

Reference IS/IEC Standard as follows :

- 1 - FLAMPROOF (Ex d) PROTECTION - IIA/IB & IIC, IS/IEC 60079-1 (2007)
- TEMPERATURE CLASS - T5/T6
- INGRESS (IP) PROTECTION - IP65, IS/IEC 60529 (2001). (Reaffirmed 2014)

Standard Specification :

- 1 - MATERIAL - CAST IRON
- 2 - FINISH - OUTSIDE LIGHT GREY PAINTED SHADE No. 631 AS PER IS:5 STANDARD
- 3 - EARTHING - 1 No. INSIDE & 2 Nos. OUTSIDE M6 SIZE S.S./BRASS SCREWS WITH 2 Nos. PLAIN WASHER
- 4 - HARDWARE - STAINLESS STEEL
- 5 - GASKET - 'O' RING NEOPRENE RUBBER GASKET
- 6 - MOUNTING ARRGT. - AS SHOWN IN DRG.

Material / Components Specification :

- 1 - S.S. NAME CUM WARNING PLATE (WITH DESCRIPTION TITLE, CIMFR, PESO, SR. NO., GAS GROUP, RATING, BIS MARKING, WARNING STATUS, etc....)
- 2 - MOTOR RATING - 1440 RPM, 50 Hz, MOTOR OF 'SUDHIR' MAKE (REFER TABLE)
- 3 - TERMINALS - 2 Nos. (3/16") STUD TYPE TERMINALS OF 'SUDHIR' MAKE
- 4 - CABLE ENTRIES - 1 No. M20 / 1/2" NPT / 3/4" ET EQUIVALENT
- 5 - CABLE ENTRIES FROM BOTTOM SIDE - REFER DRAWING
- 6 - STOPPING PLUG - (Ex d) DOUBLE COMPRESSION TYPE CABLE GLAND OF 'SUDHIR' MAKE

NOTE :

COMPONENT LAYOUT IS TENTATIVE RELOCATION OF PARTS & COMPONENTS IS POSSIBLE AT THE TIME OF ACTUAL MANUFACTURING.

OVERALL DIMENSIONS ARE ±10mm

REV.	DATE	DESCRIPTION	DRN.	CHKD.	APPD.	SCALE	CAT. No.	MODEL No.:	DRN.	CHKD.	APPD.	CIMFR CERT. No.	PESO No. :	BIS LICENCE No. :
Δ							EF/140	EF/140-1				IN/CIMFR/TR22/R/H561	P540766/1	CW/L-000331365
Δ														
Δ														

SUDHIR SWITCHGEARS PVT. LTD.

130, MULBARI SAMACHAR MARG, MULBARI - 400 023

TITLE : FLAMPROOF-WEATHERPROOF ENCLOSURE FOR EXHAUST FAN

CIMFR CERT. No. : IN/CIMFR/TR22/R/H561

PESO No. : P540766/1

BIS LICENCE No. : CW/L-000331365

Dt. 31/03/2022

Dt. 18/07/2022